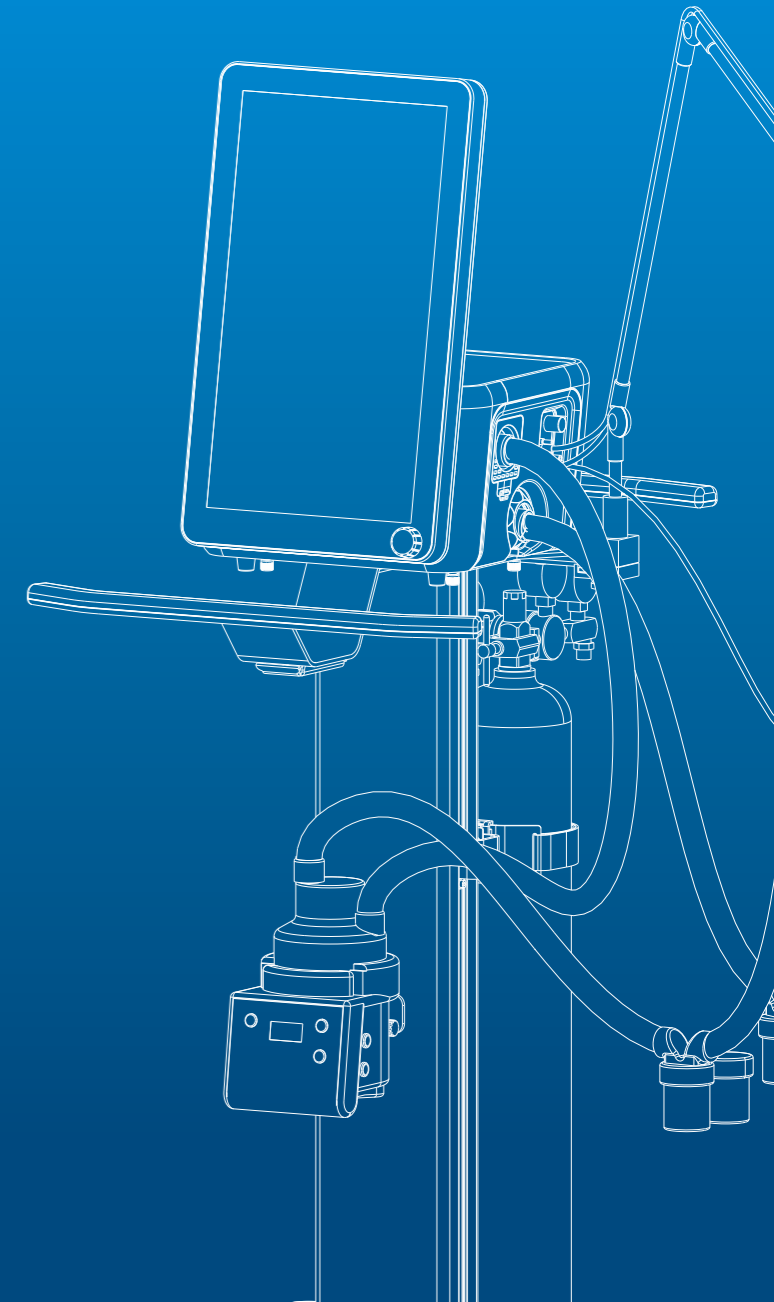


Your Breath, Our Care.



RS300 / RV200

Resvent Medical Technology Co., Ltd.

Add: BC601, BC602, Gaoxinqi Factory, District 67, Xingdong Community, Xin'an Street, Bao'an District, 518100 Shenzhen, PEOPLE'S REPUBLIC OF CHINA
Tel: 0086-755-23027370-808 Mail: resvent@resvent.com <https://www.resvent.com>





RS300 / RV200

RS300 / RV200 are new state of art design in critical care ventilation industries from resvent. With unique turbine driven technology, using and maintaining become to more accessible in your daily work. Compact and performing design can maximize your confidence throughout hospital. From ER to sub-acute ward, from ICU to pneumology department, RS300 / RV200 is delivering the versatile performance at all time.

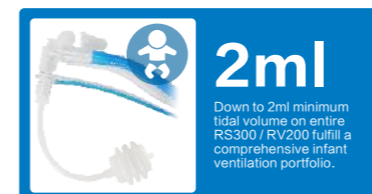
Really focus on clinical better understand the needs of end user

versatile specialist throughout hospital and transport.

Ease your daily work

Excellent respiratory treatment platform, user-friendly design makes the operation more intuitive and simple. multiple functions and intelligent workflows ease your daily work.

- ✓ Wall gas independent system
- ✓ Performing in NIV and IV
- ✓ Adult, pediatric and infant ventilation
- ✓ More than 6h battery back up (with two batteries)
- ✓ Smart lung protection & weaning kits



Build a redefinition of NIV (non-invasive ventilation) liberate performance

Relying on single ventilator, giving an advised ventilation care on NIV and IV both become possible with help of RS300.



Single limb

Non-invasive ventilation (NIV)



Dual limb

Invasive ventilation

As one of the most effective therapy strategies in critical care ventilation field to reduce the complication and recovering time of the patients, NIV has been accepted worldwide as a gold standard. RS300 combine our best-in-class, single-limb NIV solution with a fully loaded advanced dual-limb system in invasive ventilation(IV), to delivery the confidence at all time. Up to 210L/min peak flow on RS300 liberates its power on NIV mode.

Product overview

- 1 360° visible alarm
- 2 Collapsible touching display
- 3 One-hand operative valves
- 4 Multi-function configurable pillar
- 5 Single & dual cylinder compatible



RS300

Fulfill demands in all critical moment



RV200

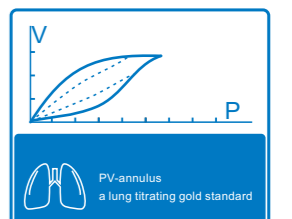


A variety of assistive tools guide precision treatment strategies to achieve comprehensive lung protection.

- ✓ Comprehensive modes including APRV, PRVC, NIV
- ✓ All patient categories even for infants
- ✓ O₂ therapy function comes as standard in RV200
- ✓ Up to 35 parameters monitoring offer an overall perspective

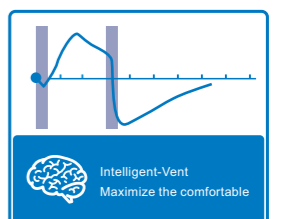
PV-annulus

Giving an optimized PEEP will help the patient a lot in keeping the lung robust. P-V tool is the gold standard. With resvent unique technology and advance platform, a precise lung titration becomes to possible.



Intelligent-Vent

For those patients with spontaneous breath, giving a synchronized ventilation support is significant. Advanced synchronization algorithm is adopted deliveries a state of art ventilation performing.



Think with the liberating mindset ease your daily work

As a life saving product, RS300 / RV200 critical care ventilator has been designed and produced followed by the highest standard. From the initial designing, R&D developing, manufacturing, testing and even after sales servicing, an ISO-13485 has been followed strictly to ensure the reliable, durable and safe are available on each ventilator.

Integrated with high performing and long life blower, an RS/RV ventilator can be a full wall gas free system, which will liberate the care giving capacity for the maximum. Up to 6 hour battery backup can also delivery the sustainable consideration in all critical junction in hospital.



RS300



RV200

Intuitive

With mass being in ICU, giving a mechanical ventilation takes lots of attention. RS300 intuitive UI, supported by high resolution touching screen, makes operating on ventilator to be smooth & easy, work more efficiently.

Accessible

Think what you are thinking while staying with your powerful assistant is the continuous pursuing of us. Visual guidance during calibration, self-testing and functional setting simplify the workflow for the maximum.

Convenient

Thoughtful design can be located anywhere on RS300 / RV200. One hand operating on autoclavable valves, double handrail design and multi-function pillar can maximize your daily convenience.





Premium platform maximize confidence

Million times on core parts

To make critical care ventilator to be performing and sustainable, core parts have to be selected strictly from top level suppliers world wide, which possesses millions life time to meet the most acute environment.

Dual backup within system design

As the most important and critical life saving product, RS300 / RV200 has been designed with independent dual backup systems to ensure the safety, even when one subsystem gets to fault.

Robustness test for each unit

Each unit of ventilator, before being delivered to the hands of customer, a fatigue testing has to be implemented to ensure it is within its best performance.



Company profile

Resvent is one of the most thriving and vibrant providers of medical devices and solutions, headquartered in ShenZhen, China. Firmly work with clinicians to recognize and understand the clinical challenges encountered everyday, we are dedicated to innovation in the fields of respiratory medicine, intensive ventilating care and intelligent information system, to overcome them with clinical solutions. Inspired by our customers' need, we adopt the advanced sciences & technologies and transform them into accessible and insightful innovation, tailored to local requirement, bring resvent to the customers in the globe.